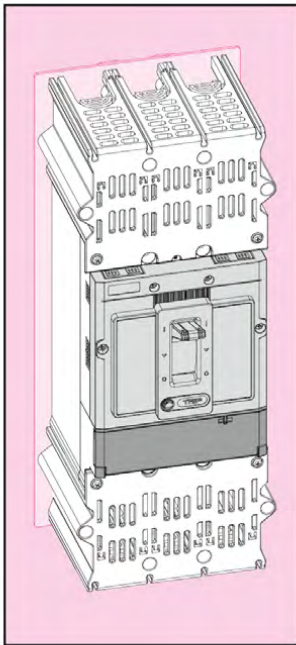


HNM5 高电压系列 产品使用说明书

HNM5 Series User Manual



触电危险!
Electric Current!
Danger to life!

只允许专业人员和受过专业训练的人员进行下列工作
Only skilled or instructed persons may carry out the following operations

伊顿辉能低压电器(江苏)有限公司
Eaton Huiheng Low-Voltage Electrical (Jiangsu) Co., Ltd.

HNM5-2HU1/2HU2

接线 Connection	6	GB70.1 M8X25 GB93 8 GB97.1 8	
断路器安装 Installation of Circuit-breaker	4	GB9074.8 M4X100 GB97.1 4 GB6170 M4	
端子罩安装 Installation of terminal cover	4 8	GB845 ST2.9X9.5 GB9074.8 M4X50	

mm

内六角扳手 Hexagon wrench
十字螺丝刀 Cross screwdriver

断路器安装 Circuit breaker installation

HNM5-2HU1/2HU2

GB9074.8 M4X100
2.9 N.m
GB97.1 4
GB6170 M4

板前接线 Front Panel Connection

HNM5-2HU1/2HU2

注意: 此转接排为选配, 需提前确认是否转接。
Note: This adapter is optional, you need to confirm in advance whether to transfer.

GB70.1 M8X25
20 N.m
GB93 8
GB97.1 8

端子罩安装 Installation of Terminal cover

HNM5-2HU1/2HU2

端子罩
Terminal cover

GB845 ST2.9X9.5
1.0 N.m
GB9074.8 M4X50
2.9 N.m

注: 标配
Note: Standard

注: 用户使用时, 断路器1、3、5侧, 2、4、6侧均装配端子罩。
Note: When the user uses the circuit breaker, terminal covers are installed on the 1, 3, 5 sides, 2, 4, and 6 sides.

相间隔板(K6)安装 Installation of phase separator(k6)

HNM5-2HU1/2HU2

客户安装板
Customer Mounting Plate

端子罩
Terminal cover

端子罩
Terminal cover

注意方向
Attention direction

注: 相间隔板标配为6个, 上短下长, 并排安装的断路器数量≥2台时, 边相的相间隔板请保持安装位置一致(都装在A相侧或者都装在C相侧), 靠近金属柜体断路器的边相, 需要多加1长1短。
Note: There are 6 terminal covers as standard, the top is short and the bottom is long. When the number of circuit breakers installed side by side is ≥ 2, please keep the installation position of the interphase clashboard of the side phase consistent (all installed on phase A side or phase C side), 1 long and 1 short (interphase separator) should be added for the side phase of the circuit breaker close to the metal cabinet.

断路器安装安全间距 Circuit breaker installation safety distance

HNM5-2HU1/2HU2

对金属框架的最小间距
Safe gap of a circuit breaker

两个并排安装的断路器之间的最小间距
Minimum distance between two adjacent circuit breakers

上下两个断路器之间的最小间距
Short terminal shield rear connected

断路器与面板之间最小间距
Minimum distance between circuit breaker and panel

绝缘板: 0
Insulating board
金属板: 30
Sheet metal

电气附件安装 Electrical accessories installation

HNM5-2HU1/2HU2

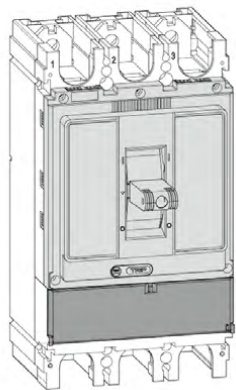
辅助/报警 (AX/AL)
Auxiliary/Alarm

分励 (SHT)
Shunt release

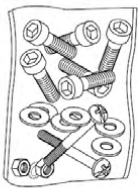
注意 Note
所有附件请在断路器脱扣状态下(手柄处于中间Trip位置)安装。
All accessories should be installed in the tripping state of circuit breaker (the handle in the middle position which is marked as "Trip")

内部附件引线连接图 Lead direction of internal accessories

HNM5-3HU1/3HU2

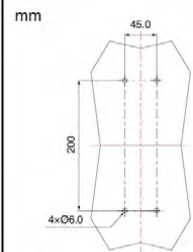


接线 Connection	6	GB70.1 M10X30 GB93 10 GB97.1 10
断路器安装 Installation of Circuit-breaker	4	GB9074.8 M5X90 GB97.1 5 GB6170 M5
端子罩安装 Installation of terminal cover	4	GB846 ST2.9X12 F
	8	GB9074.8 M4X65



内六角扳手
Hexagon wrench

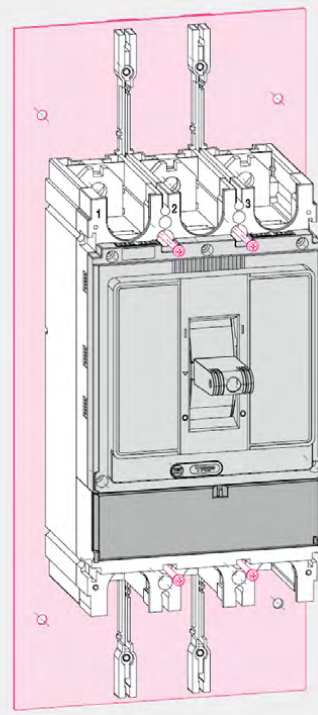
十字螺丝刀
Cross screwdriver



断路器安装

Circuit breaker installation

HNM5-3HU1/3HU2

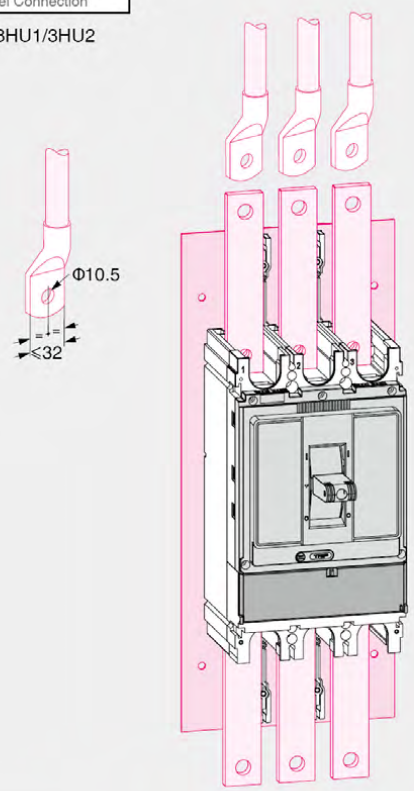


GB9074.8 M5X90
5.7 N.m
GB97.1 5
GB6170 M5

板前接线

Front Panel Connection

HNM5-3HU1/3HU2



注意 Note

1. 此转接排为选配，需提前确认是否转接；
2. 转接排只可配直排。

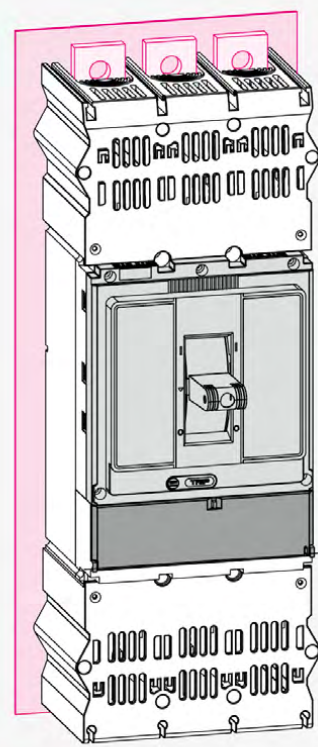
1. This transfer row is optional, and you need to confirm whether to transfer in advance;
2. The transfer row can only be equipped with a straight row.

GB5783 M10X30
50 N.m
GB93 10
GB97.1 10

端子罩安装

Installation of Terminal cover

HNM5-3HU1/3HU2



GB9074.8 M4X65
2.9 N.m

端子罩
Terminal cover



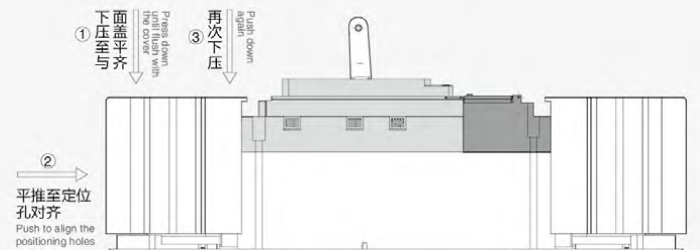
GB845 ST2.9X9.5
1.0 N.m

注：标配
Note: Standard

绝缘板
Insulation board



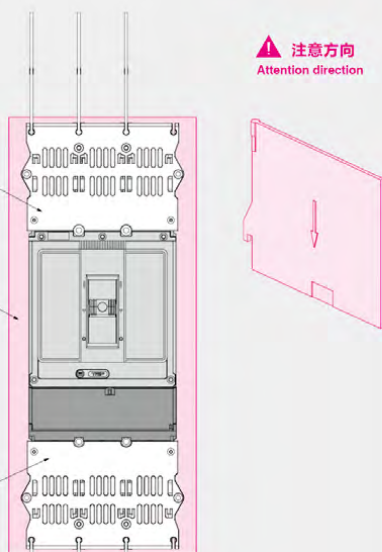
注：标配
Note: Standard



相间隔板 (K6) 安装

Installation of phase separator(k6)

HNM5-3HU1/3HU2



注意方向
Attention direction

注：相间隔板标配为6个，上短下长，并排安装的断路器数量≥2台时，边相的相间隔板请保持安装位置一致（都装在A相侧或者都装在C相侧），靠近金属柜体断路器的边相，需要多加1长1短。

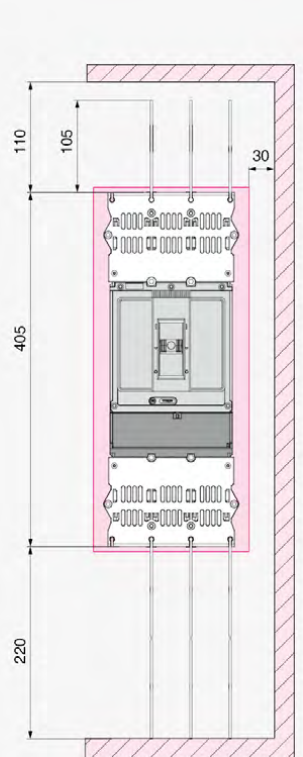
Note: There are 6 interphase diaphragm as standard, the top is short and the bottom is long. When the number of circuit breakers installed side by side is ≥ 2, please keep the installation position of the interphase diaphragm of the side phase consistent (all installed on phase A side or phase C side), 1 long and 1 short (interphase separator) should be added for the side phase of the circuit breaker close to the metal cabinet.

断路器安装安全间距

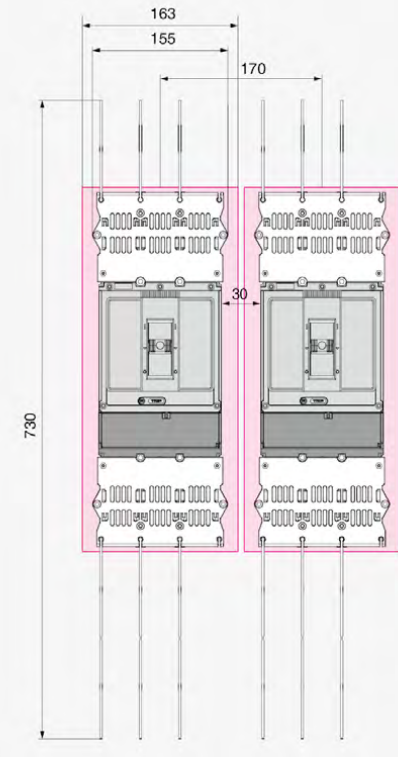
Circuit breaker installation safety distance

HNM5-3HU1/3HU2

对金属框架的最小间距
Safe gap of a circuit breaker



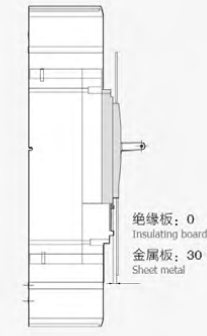
两个并排安装的断路器之间的最小间距
Minimum distance between two adjacent circuit breakers



上下两个断路器之间的最小间距
Short terminal shield rear connected



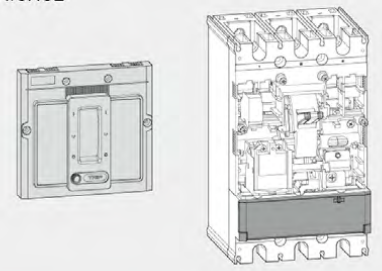
断路器与面板之间最小间距
Minimum distance between circuit breaker and panel



电气附件安装

Electrical accessories installation

HNM5-3HU1/3HU2



辅助/报警 (AX/AL)
Auxiliary/Alarm



分励 (SHT)
Shunt release

注意 Note

所有附件请在断路器脱扣状态下（手柄处于中间Trip位置）安装。
All accessories should be installed in the tripping state of circuit breaker (the handle in the middle position which is marked as "Trip")

内部附件引线连接图

Lead direction of internal accessories

